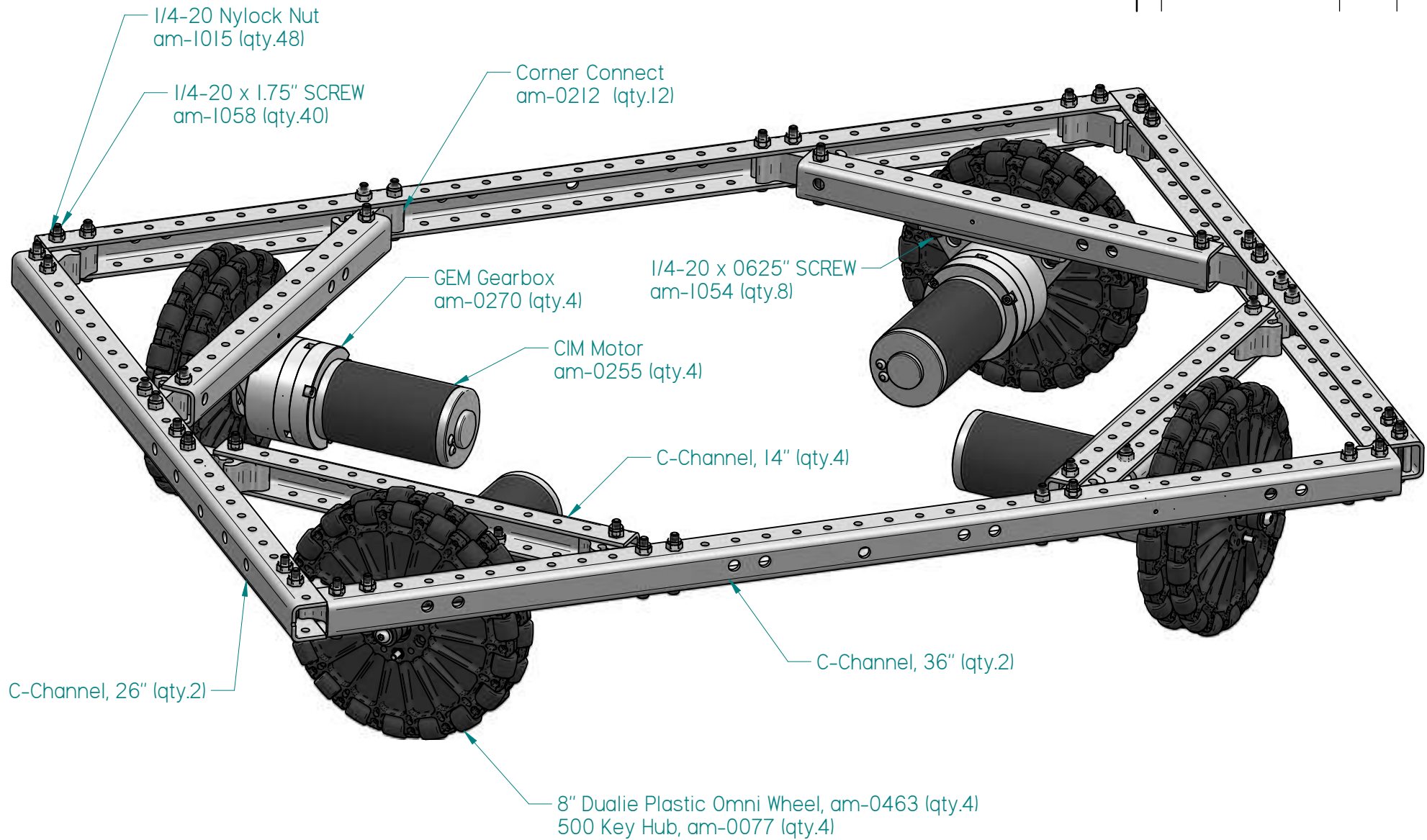
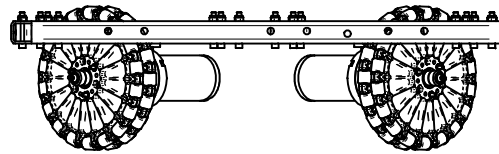


REVISION HISTORY			
REV	DESCRIPTION	DATE	APPROVED

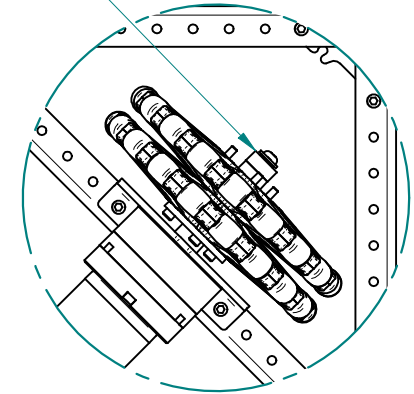


DRAWN	NAME	DATE	AndyMark.biz Standard Solutions for Competition Robots Killough System 8" Dualies	
CHECKED	Andy Baker	11/17/09		
ENG APPR				
MGR APPR				
UNLESS OTHERWISE SPECIFIED DIMENSIONS ARE IN INCHES ANGLES ±0.5° 2 PL ±0.01, 3 PL ±0.005			SIZE A2	DWG NO
			FILE NAME: Killough frame GEM 8 Dualie.dft	REV 1
			SCALE:	WEIGHT:
			SHEET 1 OF 3	

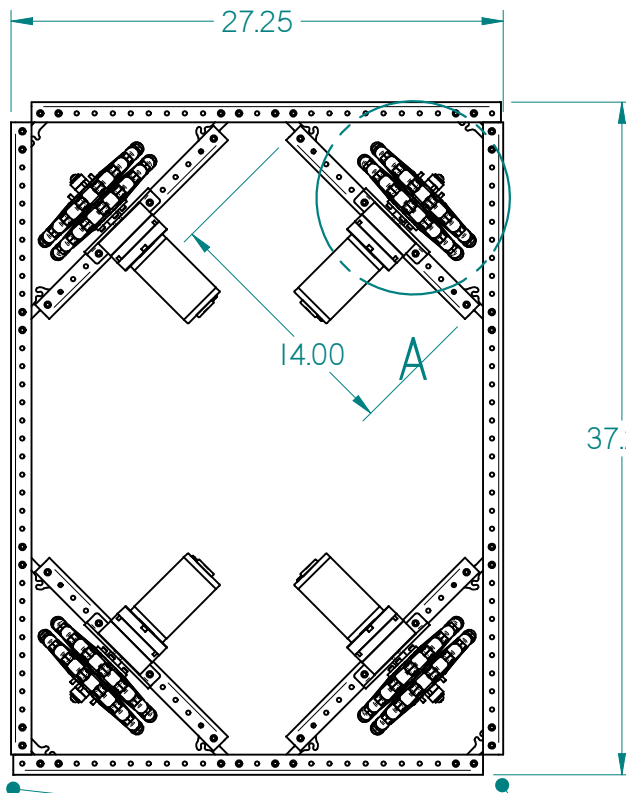
REVISION HISTORY			
REV	DESCRIPTION	DATE	APPROVED



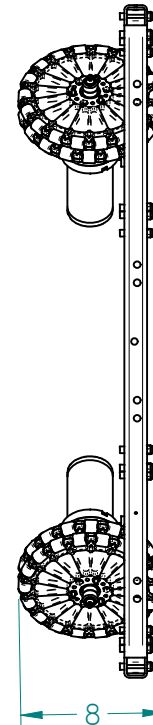
INSTALL GRAY SPACERS,
AND 1/4-20 SCREW AND WASHER
TO CAP SHAFT.



DETAIL A



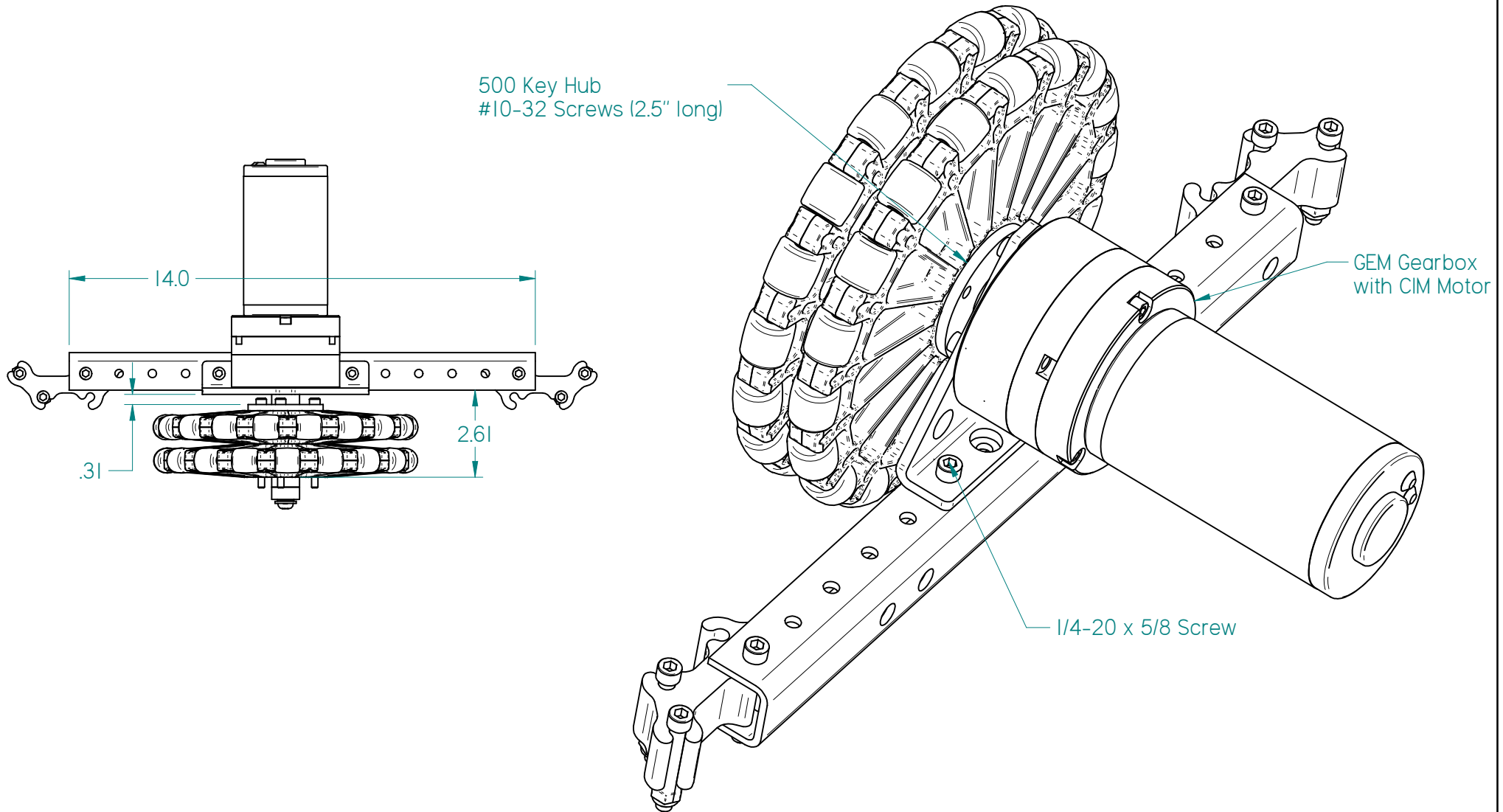
37.25
 THESE DIMENSIONS CAN
 BE CUT TO YOUR DESIRED
 APPLICATION, UP TO
 37.25" x 37.25".



THIS DRAWING SHOWS THE CORNERS IN
 EITHER A CLOSED OR OPEN FASHION.

DRAWN		NAME	DATE	AndyMark.biz Standard Solutions for Competition Robots Killough System 8" Dualies
CHECKED		Andy Baker	11/17/09	
ENG APPR				
MGR APPR				
UNLESS OTHERWISE SPECIFIED DIMENSIONS ARE IN INCHES ANGLES ±0.5°			SIZE A2	REV
2 PL ±0.01, 3 PL ±0.005			FILE NAME: Killough frame GEM 8 Dualie.dft	
SCALE:	WEIGHT:	SHEET 2 OF 3		

REVISION HISTORY			
REV	DESCRIPTION	DATE	APPROVED



500 Key Hub
#10-32 Screws (2.5" long)

GEM Gearbox
with CIM Motor

1/4-20 x 5/8 Screw

DRAWN	NAME	DATE	AndyMark.biz Standard Solutions for Competition Robots Killough System 8" Dualies	
CHECKED	Andy Baker	11/17/09		
ENG APPR				
MGR APPR				
UNLESS OTHERWISE SPECIFIED DIMENSIONS ARE IN INCHES ANGLES ±0.5° 2 PL ±0.01, 3 PL ±0.005			SIZE A2	DWG NO
			FILE NAME: Killough frame GEM 8 Dualie.dft	REV
			SCALE:	WEIGHT:
			SHEET 3 OF 3	